

ACCESSORIES

Magnetic L bracket for Oxy Unit	Part #500423-L
Duct-mount offset plate for Oxy Unit	Part #500423-OS
Duct-mount plate for germicidal lamp	Part #500482
Magnetic Z bracket for Germicidal Lamp	Part #500483-MAG
Current sensing relay kit	Part# FCS003

CLEANING THE LAMP - Recommended interval: 12 months

1. Disconnect power to the unit.
2. Remove lamp from unit by holding the lamp socket adaptor and pull away from lamp socket.
3. Unplug the lamp from the lamp socket adaptor.
4. Using a soft cloth moistened with rubbing alcohol, wipe down the lamp. If there is a large build-up of dust particles, you may wish to use a can of air first. Always handle lamp by the end cap.
5. Plug the lamp back into lamp socket adaptor.
6. Carefully slide lamp into duct through lamp socket until it fits securely.
7. Supply power to 24 V power supply.

REPLACING THE LAMP - Recommended interval: 24 months

Replacement lamps are available through your HVAC contractor.

Follow above procedure except #4 where you replace the lamp instead of cleaning it. (Note: standard off-the-shelf lamps are not compatible with this unit. Use of improper lamps will void warranty.)

TROUBLESHOOTING

- With the selector switch in the ON position, the LED should light when power is supplied to the unit.

If the LED does not light with switch in the On position:

1. Check to be sure there is power to the unit.
2. Be sure lamp connectors are fastened securely.
3. If the LED still does not light, replace lamp(s).
4. If still not operating, replace ballast.

WARRANTY

All electronic components carry a lifetime warranty to the original homeowner. In addition there is a four year warranty from the date of installation for any subsequent owner. The manufacturer reserves the right to send replacement parts or to replace the unit at its discretion. This warranty does not cover any labor or damage resulting from improper installation or abuse. Use of any lamp other than a genuine PremierOne lamp designed for this device will void the warranty.

The original lamps are warranted for a period of two years. This warranty does not cover lamps broken during shipping, installation or as a result of improper handling.

All returns are routed through your contractor/wholesaler and must be approved and accompanied by an RGA#.

The limited warranties described above are in lieu of any other warranty, whether expressed or implied, written or oral (including any warranty of merchantability or fitness for a particular purpose.) This warranty gives you specific legal rights and you may also have other rights which vary from state to state.



DYN 7- 50DR

MultiVoltage Oxidizing UVC System Installation & Maintenance Instructions

UNPACKING THE UNIT

The optional oxidizing unit is shipped with the 5” lamp installed. The germicidal lamp is placed in a box with protective packaging. When handling lamps take care to not touch the glass portion of the lamp with bare hands. Oils from the hands can cause “hot spots” which reduce lamp life. Handle by the porcelain caps or use a soft cloth. If you accidentally touch a lamp, clean it using a soft cloth dampened with rubbing alcohol. The lamp is fragile and proper care must be taken when removing from packaging.



Depending on your configuration, the following parts may be included:

- Power Supply
- Optional Oxidizing Unit
- Germicidal Twin H Lamp (packed in lamp box)
- Eleven (11) Sheet Metal Screws
- Four (4) Toggle bolts
- Four (4) caution labels
- One (1) Duct-mount plate for germicidal lamp
- One (1) Magnetic Z Bracket
- Strain relief connector
- Installation & maintenance instructions

IMPORTANT: SAFETY INSTRUCTIONS **IMPORTANT: Instructions de sécurité**

When installing and using this electrical equipment, basic safety precautions should always be followed including the following:

1. READ AND FOLLOW ALL INSTRUCTIONS.

2. Minimum living space for this product is 1,200 square feet when oxidizing unit is installed.

3. Always be sure the unit is unplugged during installation or service procedures.

4. The ultraviolet light produced by the UV lamp is harmful to your eyes. Do not look directly at the lamp. Should it become necessary to view the lamp, use UV-protected sunglasses.

Lors de l'installation et de l'utilisation de cet équipement, des précautions devront être suivies.

1- Lire et suivre les étapes attentivement.

2- L'espace minimum requis pour ce produit est de 1,200 pds carré lorsque l'unité d'oxydation est installée.

3- Assurez-vous de toujours débrancher avant l'installation ou le service.

4- Ne pas regarder la lampe directement avec les yeux. Si nécessaire de le faire, veuillez porter les lunettes de soleil contre les rayons U.V.

INSTALLATION: Living space, 1,200 square feet minimum when oxidizing unit is installed.

If there is a device that creates ozone in the space such as an ionizing air cleaner, it is recommended the oxidizing unit not be used in this application. Use one of our germicidal only models instead. Homes with multiple air handlers: install this unit on the main level air handler and a germicidal only model on the other air handler(s).

- Do not locate the germicidal lamp within 20” of plastic material that will be directly exposed to the UV light, such as wiring, return-side humidifier or certain types of air filters. Check with the filter manufacturer to see if their material is UV resistant. Over time, UV light may degrade plastic.

- Do not touch the glass portion of the lamps with bare hands because oils from the hands can cause “hot spots” which reduce lamp life. Handle either by the porcelain/plastic caps or use a soft cloth. If you accidentally touch a lamp, wipe it off, using a soft cloth dampened with rubbing alcohol.

INSTALLING THE GERMICIDAL UNIT

Mounting Germicidal Lamp and power supply (Supply or return side Plenum)

If it's necessary to route the cord from the germicidal lamp through tight spaces it can be temporarily disconnected from the power supply. If this is not necessary skip steps 1, 2, 6 and 7

1. Loosen terminal strip screws 1, 2, 7 & 8 and pull wires from strip.
2. With a pliers pinch relief connector from bottom side and pull connector and cord out of cabinet.
3. Cut out shaded area of the installation template (*See page insert*). Center the template on the longitudinal axis of the plenum and attach with tape. Trace the hole pattern and cut opening for the unit, or simply use a two inch hole saw.
4. Peel off gasket backing and attach lamp socket to duct using three long self-tapping sheet metal screws provided.
5. Find a suitable location to mount the power supply making sure supply cord to ballast will reach 120 or 240 volt power supply. Mount the power supply using four self-tapping sheet metal screws provided.
6. Route cord back to power supply and reinstall. See illustration #1
7. Route germicidal lamp's cord to the power supply, insert cord and connect blue wires to terminal 1 & 2 and red wires to terminal 7 & 8. Snap strain relief back into position.
7. Holding lamp by its protective paper sleeve, plug it into lamp socket adaptor.
8. Holding lamp by the lamp socket adaptor, remove paper sleeve from lamp and carefully slide into duct through the lamp socket until it fits securely.
9. **Adhere included UV Warning Label onto ductwork within six inches of UV lamp.**

MOUNTING OPTIONAL OXIDIZING UNIT (Return Side Plenum)

1. Cut a 1.75” - 2” hole for the unit.
2. Attach the unit to the air duct using the four self-tapping sheet metal screws provided. (Airflow direction is marked on the unit.)
5. Remove the cover from the power unit by removing the top and bottom retaining nuts using an 11/32 size nut driver and set aside.
6. Disconnect blue wires from terminal 1 & 2 and reconnect blue wires to terminal 5 & 6. See illustration #2
7. Remove hole plug from bottom of power supply by pinching plug from inside of unit and push down.
8. Route oxidizing unit's cord to the power supply, insert cord and connect blue wires to terminal 1 and 2 and red wires to terminal 3 and 4.
9. Wrap strain relief around base of cord, pinch with a pliers and snap into position.
10. Replace power supply cover and secure using the two retaining nuts.

WIRING/FUSE

With the oxidizing unit installed, the unit must cycle with the furnace blower. Wire unit to a EAC terminal or current-sensing relay to cycle the unit with the system fan. If the oxidizing unit is not installed, you may allow unit to run continuously. The multivoltage ballast is self-adjusting and operates with voltages from 120 - 240 VAC. For 120V wiring connect the black wire to L1, white wire to neutral, green wire to ground.

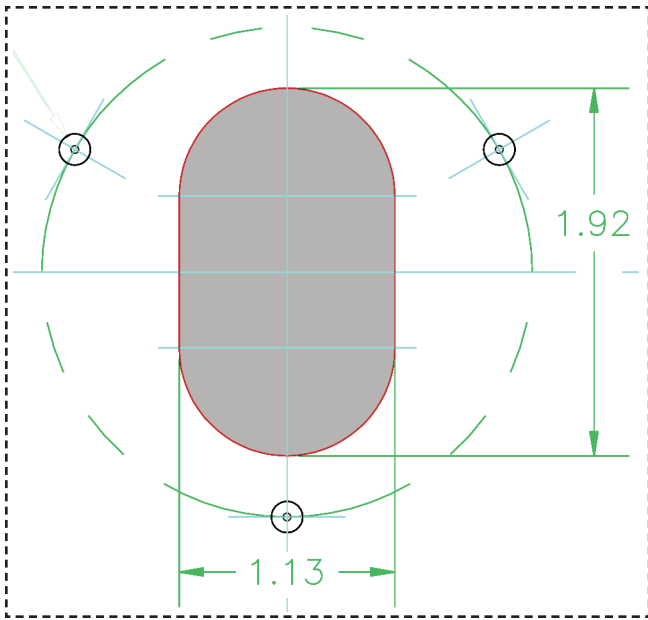
For 240V wiring install 5 amp inline fuses then connect the black wire to L1, white wire to L2, green wire to ground. Be sure power cord is secured with included strain relief connector. Wire the unit in accordance with local wiring codes. After installing, verify voltage is operating between 120 - 240 VAC with air handler operating.

SETTING THE ACTIVATED OXYGEN OUTPUT LEVEL

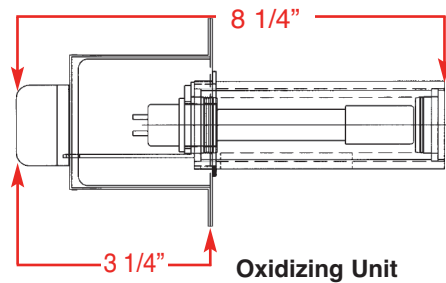
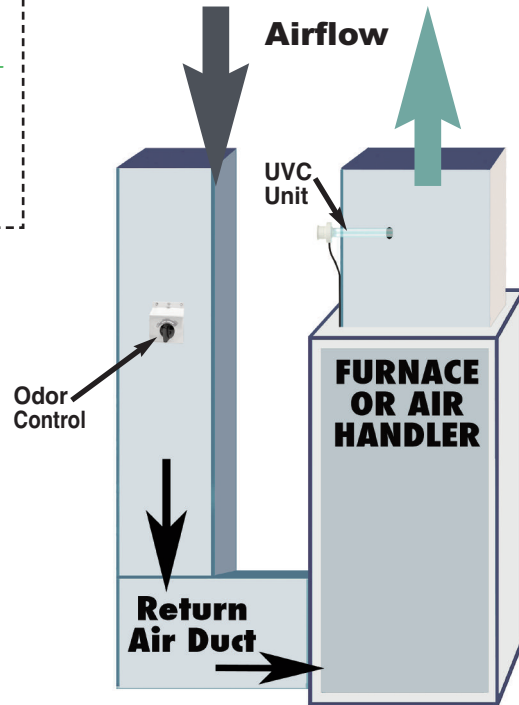
- The air purification process occurs only while air is circulating through the HVAC system.
- The oxidizing level can be easily adjusted as needed using the “Oxidation Odor Control” knob on the front of the unit. Start with the setting in the normal range. Decrease the setting if an activated oxygen odor is detectible. If household odors are noticeable after 24 hours, increase the setting.

MAINTENANCE

This maintenance schedule is only a guideline, determined by average conditions. Actual conditions will dictate the frequency of cleaning and/or replacement of lamps. Do not touch the glass portion of the lamps with bare hands because oils from the hands can cause “hot spots” which reduce lamp life. Handle either by the porcelain caps or use a soft cloth. If you accidentally touch a lamp, clean it using a soft cloth dampened with rubbing alcohol.



1. Cut out area of template indicated by the dotted line.
2. Cut out grey shaded center hole.
3. Place template on the return plenum of the HVAC system and trace the hole pattern.
4. Cut opening for the unit.
5. Install unit into air duct using the three self-tapping sheet metal screws provided.



Box size is 4 1/8" high x 4 1/8" wide.

Photo A

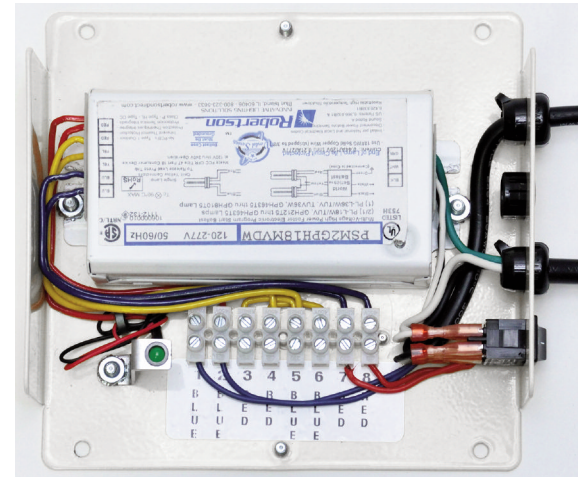
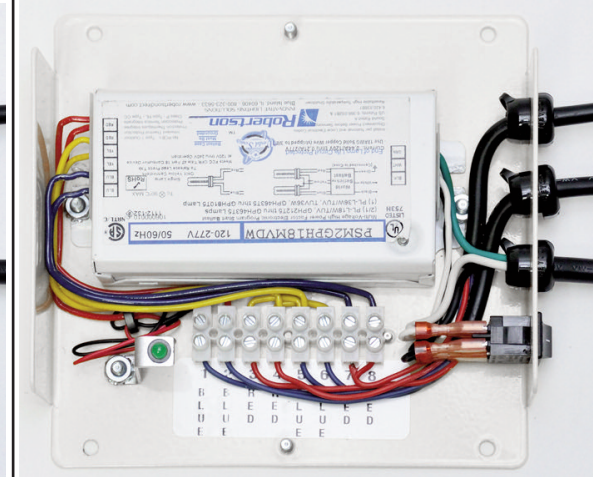


Photo B



For single lamp operation connect Blue wires to 1-2 and red wires to 7-8

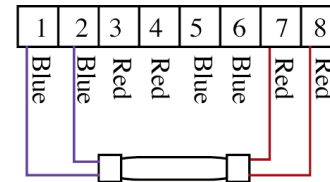


Illustration #1

For Dual lamp operation connect matching colored lamp wires to terminals.
Lamp A Blue 1-2 Red 3-4
Lamp B Blue 5-6 Red 7-8

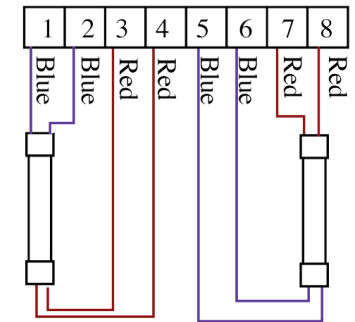


Illustration #2

For Technical Support Call (800)578-7873

© 2012 Form DYN-208 (06/12)

